



FEATURES

Heavy duty cast aluminium case, CA 605 marine grade. Protection category: IPX3. Finish of casing white gloss. Option of swivel nozzle. Tamper-proof locking. Low heat setting/higher air velocity. Easy installation and low running costs. Made in Australia.

SPECIFICATION

Electrical Supply 230/240V 50Hz AC 2400 watt. Motor 90 watt 5000 RPM. Element 2.31kW protected by thermal cut-out. Air velocity 18.5m/s. Noise level 76dBA. Gross 5.4kg. Shipping 6kg. Certificate of Suitability no. CS/760/Q.

Electrical Safety Requirement AS/NZS 3350.2.23:2001

Touchdry with Satin Chrome Nozzle & Button shall be Model No TOUCHDRY-SC as manufactured by JD MacDonald.

OPTIONS

Satin or polished chrome nozzle and button

Designer colours for quantity purchases

RECOMMENDED INSTALLATION HEIGHT

Men's washrooms 1200mm. Women's washrooms 1150mm. Children's washrooms ages 11-15 1110mm. Disabled person's washrooms 1000mm. Children's washrooms ages 5-10 850mm.

WARRANTY

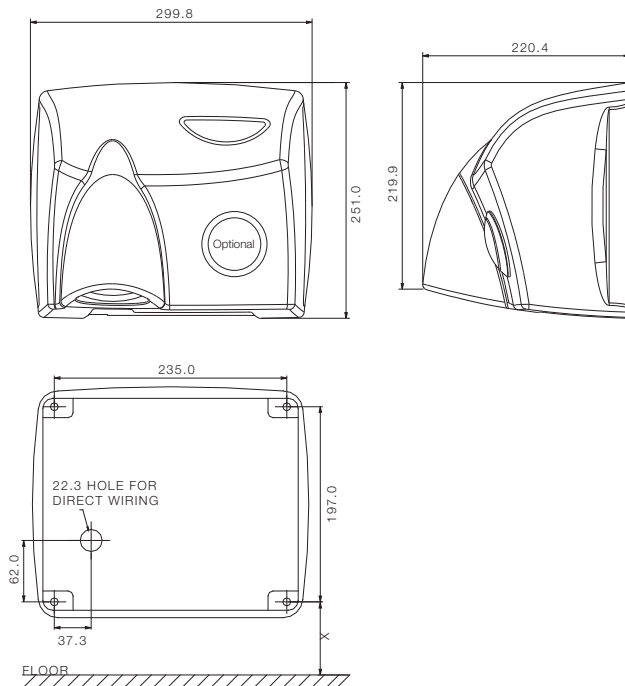
JD MacDonald Touchdry hand dryer is guaranteed against defective materials and faulty workmanship for 10 years from date of purchase, subject to being installed and maintained in accordance with the Installation and Operating Instructions supplied with the dryer.



Image shows Touchdry with Polished Chrome Nozzle and Button. Fittings on this model will have Satin Chrome finish.



New and improved solid touch button





FEATURES

Heavy duty cast aluminium case, CA 605 marine grade. Protection category: IPX3. Finish of casing white gloss. Option of swivel nozzle. Tamper-proof locking. Low heat setting/higher air velocity. Easy installation and low running costs. Made in Australia.

SPECIFICATION

Electrical Supply 230/240V 50Hz AC 2400 watt. Motor 90 watt 5000 RPM. Element 2.31kW protected by thermal cut-out. Air velocity 18.5m/s. Noise level 76dBA. Gross 5.4kg. Shipping 6kg. Certificate of Suitability no. CS/760/Q.

Electrical Safety Requirement AS/NZS 3350.2.23:2001

Touchdry with Polished Chrome Nozzle & Button shall be Model No TOUCHDRY-PC as manufactured by JD MacDonald.

OPTIONS

Satin or polished chrome nozzle and button

Designer colours for quantity purchases

RECOMMENDED INSTALLATION HEIGHT

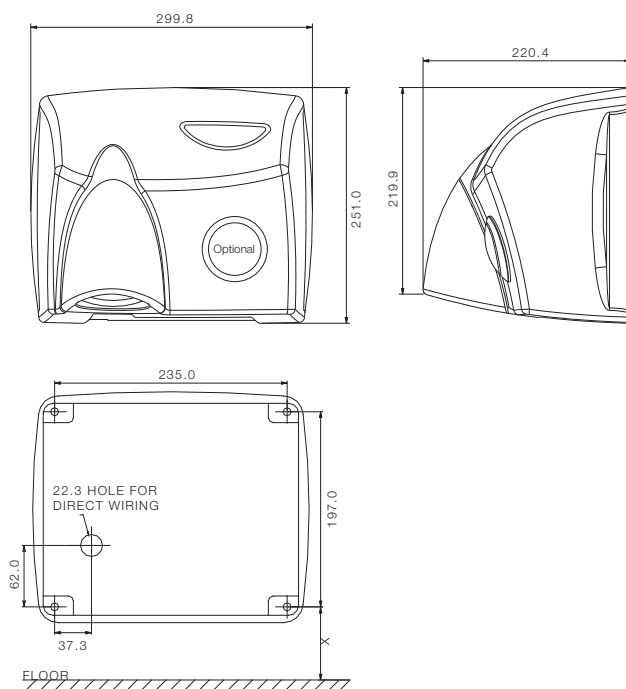
Men's washrooms 1200mm. Women's washrooms 1150mm. Children's washrooms ages 11-15 1110mm. Disabled person's washrooms 1000mm. Children's washrooms ages 5-10 850mm.

WARRANTY

JD MacDonald Touchdry hand dryer is guaranteed against defective materials and faulty workmanship for 10 years from date of purchase, subject to being installed and maintained in accordance with the Installation and Operating Instructions supplied with the dryer.



New and improved solid touch button





FEATURES

Heavy duty cast aluminium case, CA 605 marine grade. Protection category: IPX3. Finish of casing white gloss. Option of swivel nozzle. Tamper-proof locking. Low heat setting/higher air velocity. Easy installation and low running costs. Made in Australia.

SPECIFICATION

Electrical Supply 230/240V 50Hz AC 2400 watt. Motor 90 watt 5000 RPM. Element 2.31kW protected by thermal cut-out. Air velocity 18.5m/s. Noise level 76dBA. Gross 5.4kg. Shipping 6kg. Certificate of Suitability no. CS/760/Q.

Electrical Safety Requirement AS/NZS 3350.2.23:2001

Touchdry with Silver Gloss Nozzle and Button shall be Model No TOUCHDRY as manufactured by JD MacDonald.

OPTIONS

Satin or polished chrome nozzle and button

Designer colours for quantity purchases

RECOMMENDED INSTALLATION HEIGHT

Men's washrooms 1200mm. Women's washrooms 1150mm. Children's washrooms ages 11-15 1110mm. Disabled person's washrooms 1000mm. Children's washrooms ages 5-10 850mm.

WARRANTY

JD MacDonald Touchdry hand dryer is guaranteed against defective materials and faulty workmanship for 10 years from date of purchase, subject to being installed and maintained in accordance with the Installation and Operating Instructions supplied with the dryer.



Image shows Touchdry with Polished Chrome Nozzle and Button. Fittings on this model will have Satin Chrome finish.



New and improved solid touch button

