

### SPECIFICATION

Dual Roll Tissue Holder shall hold and dispense two (2) rolls of standard core roll tissue, up to 6" (152mm) in diameter. Unit shall be fabricated of alloy 18-8 stainless steel, type 304. Rollers shall be fabricated of chrome plated, high impact resistant ABS plastic. All exposed surfaces shall have bright or satin finish as chosen by option and indicated by code suffix. Mounting style shall be dry wall or wet wall as chosen by option and indicated by code suffix.

**Dual Roll Tissue Holder** shall be Model No 74022-HBD or (No 74022-HBW or No 74022-HSD or No 74022-HSW) as supplied by JD MacDonald.

### INSTALLATION

Unit is recessed mounted in wall using No10 self tapping screws (supplied by others). If option -D mounting is chosen then specify dry wall clamp model No 39 separately. Rough wall opening (RWO) shall be 11-3/4"W x 5-1/4"H x 2-1/4" (298mm x 134mm 58mm)

### OPERATION

Spindle revolves freely. Spring loaded spindle holds roll until core is removed.

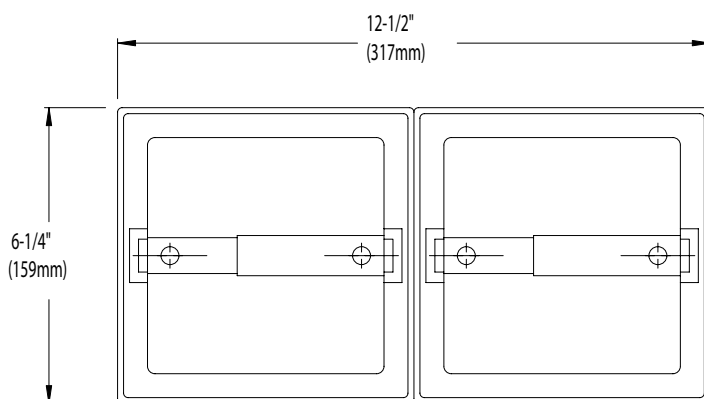
### OPTIONS

Optional finish and mounting style must be specified as either bright or satin and wet or dry wall. Specify finish and mounting by adding code suffixes to model number

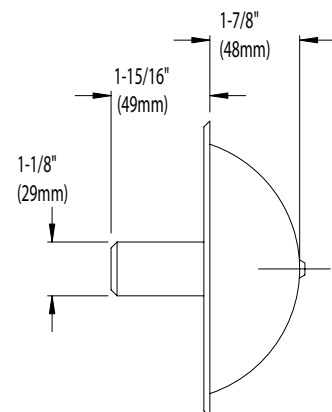
74022-BD	Bright Recessed St. Stl
74022-SD	Satin Recessed St. Stl
74022-HBD	Hooded Bright Recessed St. Stl
74022-HSD	Hooded Satin Recessed St. Stl
74022-BSM	Bright Surface Mount St. Stl
74022-SSM	Satin Surface Mount St. Stl
74022HBSM	Surface Mount, Hooded Bright St. Stl
74022HSSM	Surface Mount, Hooded Satin St. Stl.

Option -S = Satin. Option -B = Bright polished finish.

Option -W = Wet wall installation. Option -D = Dry wall installation.



FRONT VIEW



SIDE VIEW