



SPECIFICATION

Surface Mounted Surgical Type Liquid Soap Dispenser shall dispense 16 oz (.47 liters) of soap or antiseptic solution. Dispenser/ Valve unit shall be constructed of chrome-plated brass body with stainless steel and plastic internal parts. Soap "globe" shall be fabricated of white polyethylene.

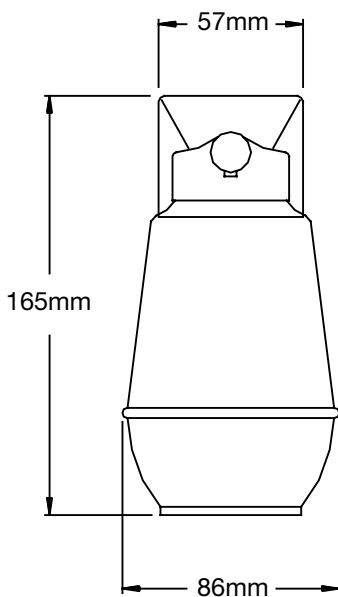
Surface Mounted Surgical Type Liquid Soap Dispenser shall be Model No 0350 as supplied by JD MacDonald.

INSTALLATION

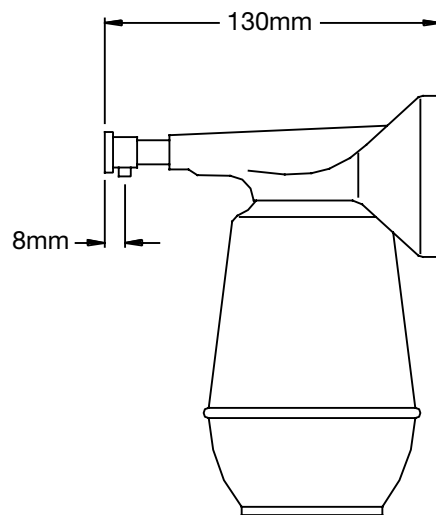
Unit is secured to a wall plate which is surface mounted to wall or partition using No10 self tapping screws (supplied by others). For compliance with Australian Standards 1428.1 and 1428.2, unit shall be installed with the height of its operative component or outlet not less than 900mm and not more than 1100mm above the plane of the finished floor. Recommended installation is 42" (1066mm) AFF or 6" (152mm) minimum above wash basin.

OPERATION

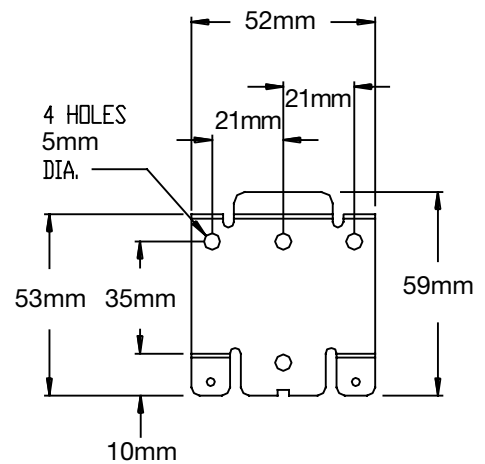
Soap is manually dispensed by depressing push button. Unit is reloaded by unlocking soap tank from wall bracket. Soap will continue to feed properly until empty. Tank supply is replenished manually on cycle determined by maintenance needs.



FRONT VIEW



SIDE VIEW



WALL PLATE